

### Flowmeters

Connector: JST-PH 2.0 3P

- 1: +5v
2. Signal
3. Ground

### Pressure Sensors

Connector: JST-PH 2.0 2P

1. +24V
- 2: Signal / Ground

### TDS Sensors

Connector: 2.54mm

1. Signal
- 2: +3.3v
3. Ground

### Temperature Sensor

Connector: JST-PH 2.0 3P

- 1: +3.3v
2. Signal
3. Ground

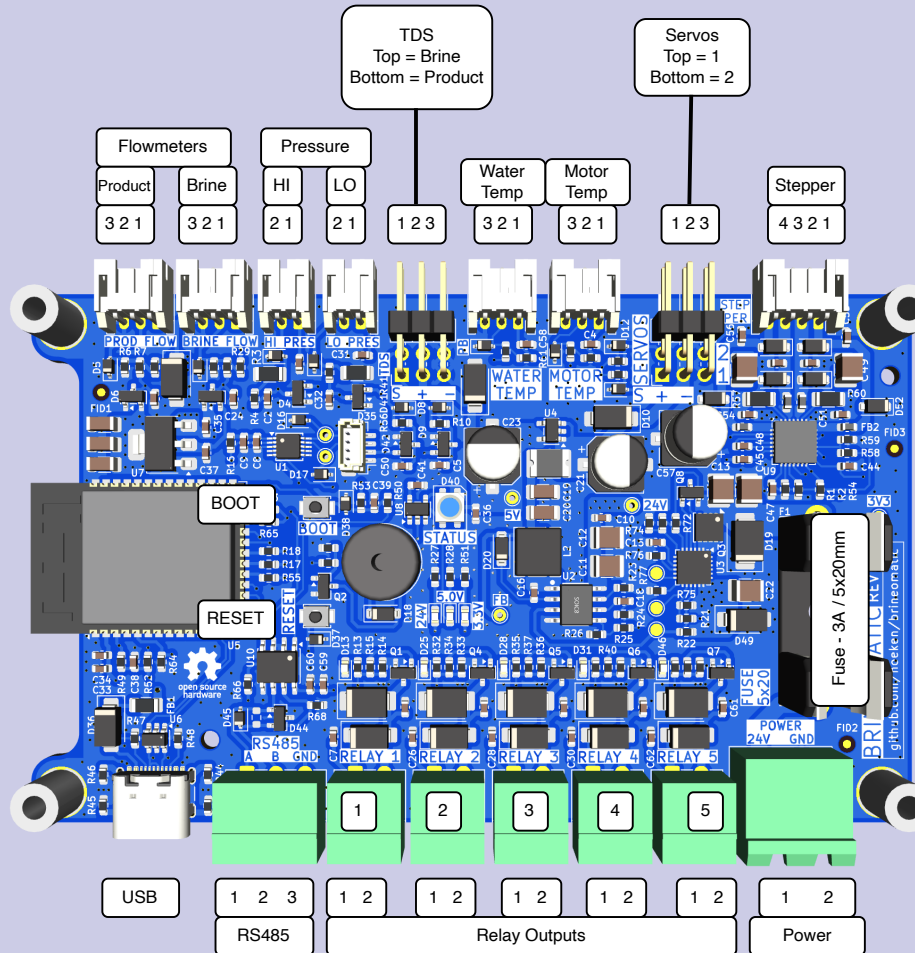
### Servos

Connector: 2.54mm

1. Signal
- 2: +5.0v
3. Ground

TDS  
Top = Brine  
Bottom = Product

Servos  
Top = 1  
Bottom = 2



### Stepper Motor

Connector: JST-PH 2.0 4P

- 1: OA2 / A+
2. OA1 / A-
3. OB1 / B-
4. OB2 / B+

### Power

Connector:  
5.08mm Screw Terminal

- 1: +12-30v
2. Ground

### Relay Output

Connector:  
Screw Terminal 3.5mm

- 1: +24v
2. Ground

### RS485

Connector:  
Screw Terminal 3.5mm

- 1: A
2. B
3. Ground

## Brineomatic Rev C1 Connectors

<https://brineomatic.com/docs/hardware/revision-c.html>

### Flowmeters

Connector: JST-PH 2.0 3P

- 1: +5v
2. Signal
3. Ground

### Pressure Sensors

Connector: JST-PH 2.0 2P

1. +24V
- 2: Signal / Ground

### TDS Sensors

Connector: 2.54mm

1. Signal
- 2: +3.3v
3. Ground

### Temperature Sensor

Connector: JST-PH 2.0 3P

- 1: +3.3v
2. Signal
3. Ground

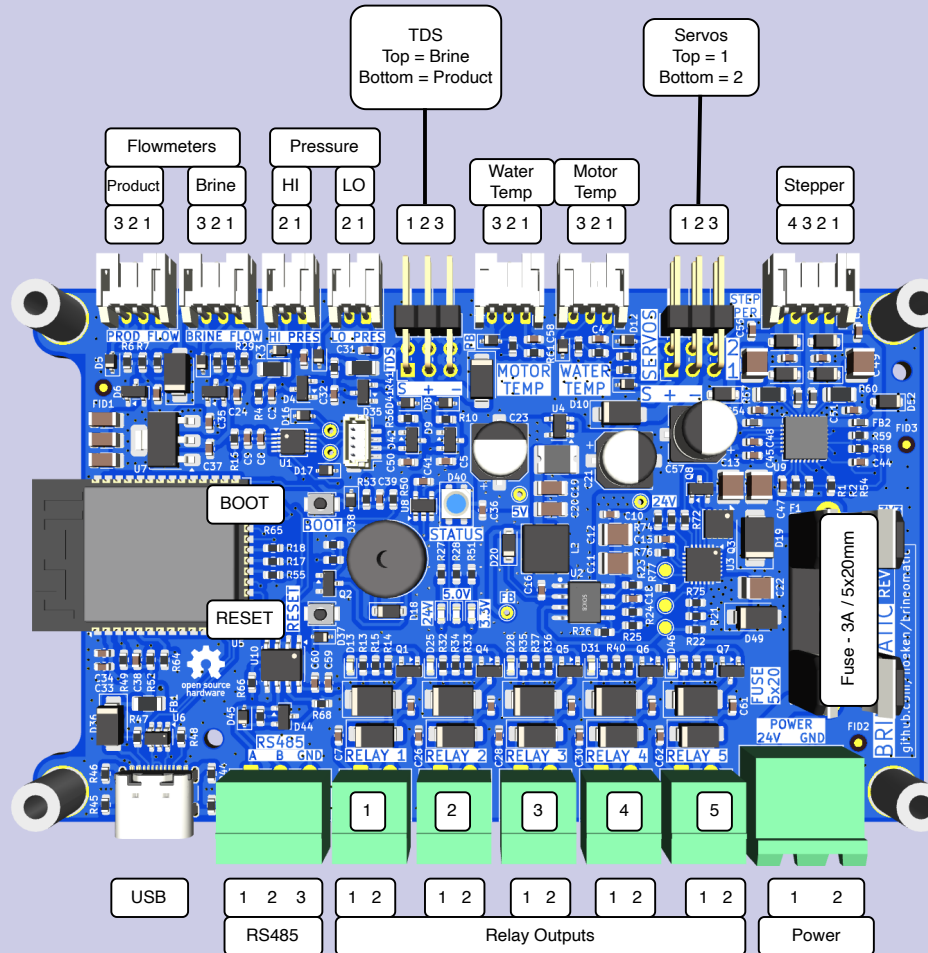
### Servos

Connector: 2.54mm

1. Signal
- 2: +5.0v
3. Ground

TDS  
Top = Brine  
Bottom = Product

Servos  
Top = 1  
Bottom = 2



### Stepper Motor

Connector: JST-PH 2.0 4P

- 1: OA2 / A+
2. OA1 / A-
3. OB1 / B-
4. OB2 / B+

### Power

Connector:  
5.08mm Screw Terminal

- 1: +12-30v
2. Ground

### Relay Output

Connector:  
Screw Terminal 3.5mm

- 1: +24v
2. Ground

### RS485

Connector:  
Screw Terminal 3.5mm

- 1: A
2. B
3. Ground

## Brineomatic Rev C Connectors

<https://github.com/hoeken/brineomatic>

### Flowmeters

Connector: JST-PH 2.0 3P

- 1: +5v
2. Signal
3. Ground

### Pressure Sensors

Connector: JST-PH 2.0 2P

1. +24V
- 2: Signal / Ground

### TDS Sensors

Connector: 2.54mm  
Female 3P

1. Signal
- 2: +3.3v
3. Ground

### Servos

Connector: 2.54mm  
Female 3P

1. Signal
- 2: +5.0v
3. Ground

### Power

Connector:  
5.08mm Screw Terminal

- 1: +12-30v
2. Ground

### Stepper Motor

Connector: JST-PH 2.0 4P

- 1: OA2 / A+
2. OA1 / A-
3. OB1 / B-
4. OB2 / B+

### Relay Output

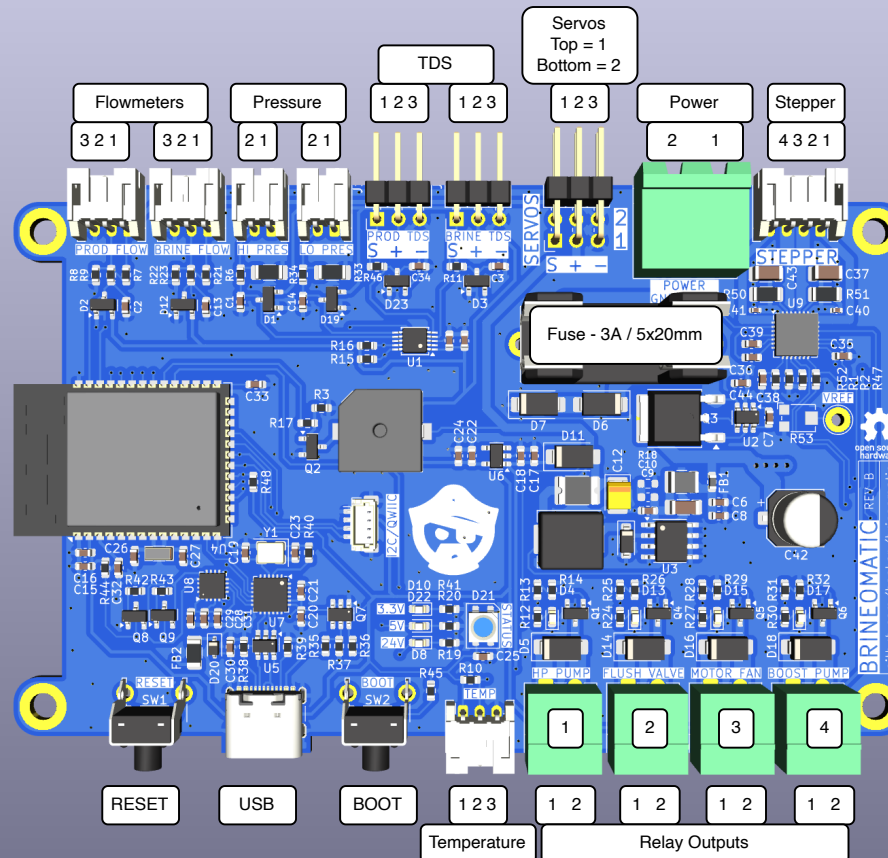
Connector:  
Screw Terminal 3.5mm

- 1: +24v
2. Ground

### Temperature Sensor

Connector: JST-PH 2.0 3P

- 1: +3.3v
2. Signal
3. Ground



## Brineomatic Rev B Connectors

<https://github.com/hoeken/brineomatic>

